

■ RISHENG  
ELECTRIC PORCELAIN



RISHENG ELECTRIC PORCELAIN

日升电瓷

萍乡市日升电瓷有限公司

PINGXIANG RISHENG ELECTRIC PORCELAIN CO., LTD.

Address: The setuary of Shangbu Town, Luxi County,  
Pingxiang City, Jiangxi Province, China.

Mobile: +86 13707996031

QQ: 125114980

Tel: +86-799-7518678

Fax: +86-799-7618679

Email: pxrsc@163.com

Http://www.pxrsc.com



萍乡市日升电瓷有限公司

PINGXIANG RISHENG ELECTRIC PORCELAIN CO., LTD.

INTEGRITY

诚信

诚信走遍天下 电力连接万家



# Brief 企业简介 Introduction



谭红斌 总经理

萍乡市日升电瓷制造有限公司位于江西省萍乡市上埠工业园，占地面积八万平方米，员工500余人，高、中级技术人员50余人，总资产三千多万元。

日升公司专业生产40kV以下的电力变压器瓷套，出口型德标、英标、美标、奥标系列变压器瓷套。72千伏以下的支柱棒型瓷瓶，高低压线路绝缘子、以及各种熔断器瓷瓶、隔离开关瓷瓶等产品为主。产品多达300余种，品种齐全，并可根据客户的图纸或样品设计生产，产品均按国际IEC（国际电工委）、DIN(德标)、BS(英标)、AS(澳标)、ANSI(美标)、GB(国标)等国际标准生产。产品畅销全球，已为国际知名产家代工，如Barberi、Comem、Cedaspe (Made in Italy) , ABB (Made in Turkey) 等。多年来收到美国、泰国、新加坡、越南、柬埔寨、斯里兰卡、澳大利亚、尼日利亚、印尼、肯尼亚、巴西、南非等国家地区客户的好评，欢迎广大客户来图，来样、来电，订购产品。预祝所有客户、蒸蒸日上、日日上升！

我们将致力于世界的电力发展而努力奋斗！

Pingxiang Risheng Electric Porcelain Co., Ltd. is located in Shangbu Industrial Park, Pingxiang City, Jiangxi Province. It covers an area of 80,000 square meters, has more than 500 employees, more than 50 senior and intermediate technical personnel, and has total assets of more than 30 million yuan.

Risheng Company specializes in the production of porcelain bushing for power transformers below 40kV, and export-oriented DIN, BS, ANSI, and AS standard transformer bushings. The main products are long rod type porcelain insulator below 72 kV, high and low voltage line various type porcelain insulator, Fuse cut-out porcelain insulator, Disconnect switch porcelain insulator and other products. There are more than 300 kinds of products, complete varieties, and can be designed and produced according to customer drawings or samples. Products are in accordance with international IEC (International Electrotechnical Commission), DIN (German standard), BS (British standard), AS (Australian standard), ANSI (American Standard), GB (National Standard) and other international standards production. The products sell well all over the world, and have been OEM for internationally renowned manufacturers, such as Barberi, Comem, Cedaspe (Made in Italy), ABB (Made in Turkey), etc. Over the years, we have received high praise from customers in the United States, Thailand, Singapore, Vietnam, Cambodia, Sri Lanka, Australia, Nigeria, Indonesia, Kenya, Brazil, South Africa and other countries and regions. Customers are welcome to send pictures, samples, calls, and order products. I wish all customers prosperous and rising day by day!

We will devote ourselves to the world's electric power development and work hard!

RISHENG RISHENG RISHENG RISHENG RISHENG RISHENG RISHENG RISHENG RISHENG RISHENG RISHENG RISHENG

ADD: The estuary of shangbu town, luxt county, Pingxiang city,  
jiangxi province, china. TEL: 13707996031

E-mail:pxrsdc@163.com  
Http://www.pxrsdc.com

TEL: 0799-7618678  
FAX: 0799-7618679





























## 2 - 传递连接套管

2 - Pass connections for insulators

DIN

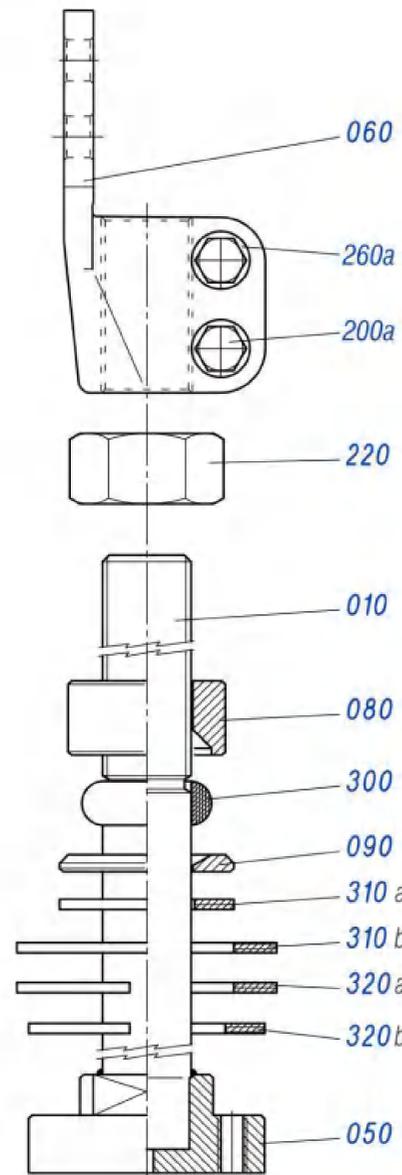


### Art. D03.D

DIN42530 变压器传递连接套管  
公称电压 1kV-1000 ÷ 3150A

Pass connections for insulators of DIN 42530 transformers  
Nominal Voltage until 1 kV - 1000 ÷ 3150 A

| 编码 / CODE. | D0303000D   | D0304200D   | D0304800D   |
|------------|-------------|-------------|-------------|
| 等级 / CLASS | DT - 1/1000 | DT - 1/2000 | DT - 1/3150 |



| 编号<br>Pos. refer. | 数量<br>Q.ty | 描述<br>Description               | 编码 / Code   |              |             |
|-------------------|------------|---------------------------------|-------------|--------------|-------------|
|                   |            |                                 | DT - 1/1000 | DT - 1/ 2000 | DT - 1/3150 |
| 010               | 1          | 连接螺栓<br>Connecting bolt         | D03030001   | D03042001    | D03048001   |
| 050               | 1          | 螺母环<br>Ring nut                 | A03030002   | A03042002    | A03048002   |
| 060               | 1          | 连接联板<br>Connecting flag         | D03030007   | D03042007    | D03048007   |
| 080               | 1          | 垫片90°<br>Washer 90°             | D01030S03   | D01042S03    | D01048S03   |
| 090               | 1          | 垫片120°<br>Washer 120°           | A01030S04   | A01042S04    | A01048S04   |
| 200a              | 2          | 六角头螺丝<br>Hexagon head cap screw | D03030013X  | D03042013X   | D03048013X  |
| 220               | 1          | 螺母<br>Nut                       | A01030005   | A01042005    | A01048005   |
| 260a              | 2          | 平垫片<br>Flat washer              | A05012018X  | D03042014X   | D03042014X  |
| 300               | 1          | 半圆垫圈<br>Half-round gasket       | A01030008   | A01042008    | A01048008   |
| 310 a             | 1          | 平垫圈<br>Flat gasket              | D01030009   | D01042009    | D01048009   |
| 310 b             | 1          | 平垫圈<br>Flat gasket              | D01030010   | D01042010    | D01048010   |
| 320 a             | 1          | 切割垫圈<br>Cutted gasket           | A01030011   | A01042011    | A01048011   |
| 320 b             | 1          | 切割垫圈<br>Cutted gasket           | A01020011   | A01042012    | A01048012   |

编号: 附件部分详情  
Pos. refer.: Details in the components sections

#### 备注 / Note:

##### 装配关联:

- 060+260a+200a = 410

##### Assembling Reference:

- 060+260a+200a = 410

##### 装配关联:

- 050+010 = 400

##### Assembling Reference:

- 050+010 = 400



DIN

## 2 - 成套套管

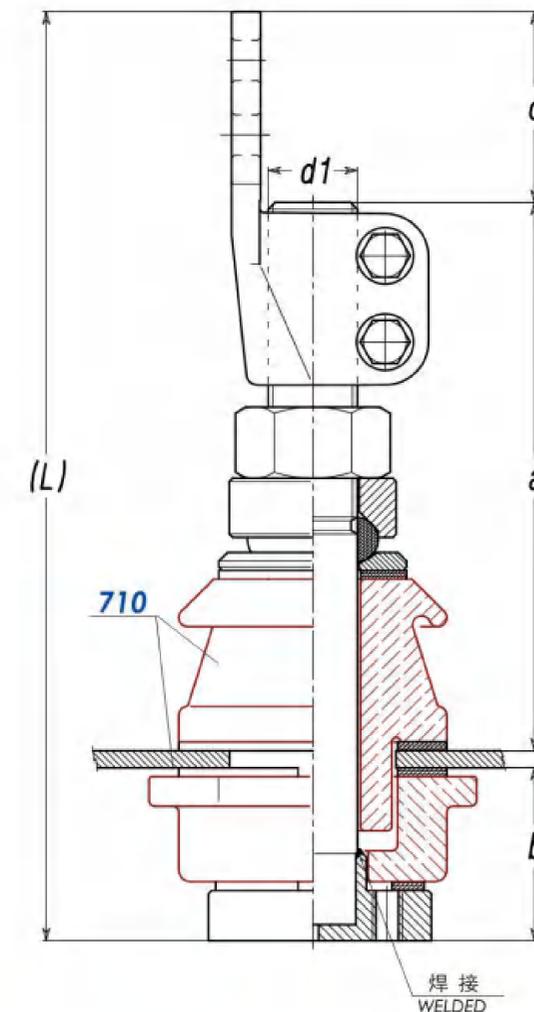
2 - Complete bushings with insulators

### Art. D88.D

DIN42530 成套套管  
公称电压 1kV-1000 ÷ 3150A

Complete bushings with insulators for transformers DIN 42530  
Nominal Voltage until 1 kV - 1000 ÷ 3150 A

| 编码 / CODE.            | D8803000D   | D8804200D   | D8804800D   |
|-----------------------|-------------|-------------|-------------|
| 等级 / CLASS            | DT - 1/1000 | DT - 1/2000 | DT - 1/3150 |
| 710*                  | A50030000   | A50042000   | A50048000   |
| d1                    | M30x2       | M42x3       | M48x3       |
| a                     | 203         | 240         | 252         |
| b                     | 60          | 65          | 70          |
| c                     | 60          | 100         | 120         |
| (L)                   | 323         | 405         | 442         |
| 重量 (克) / Weight (gr.) | 4800        | 11000       | 15500       |







## 2 - 传递连接套管

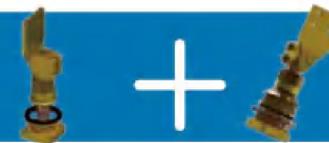
2 - Pass connections for insulators

DIN



+

DIN



## 2 - 成套套管

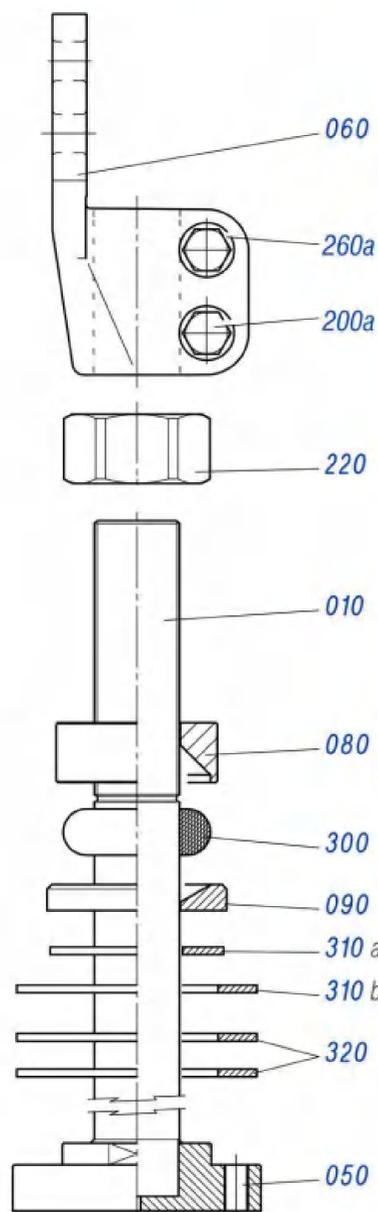
2 - Complete bushings with insulators

### Art. D13.D - 4500 A

变压器传递连接套管  
公称电压 3.6kV-4500A

Pass connections for insulators of transformers  
Nominal Voltage until 3.6 kV - 4500 A

编码 / CODE. D13055000D  
等级 / CLASS DT - 3/4500



| 编号<br>Pos. refer. | 数量<br>Q.ty | 描述<br>Description               | 编码 / Code<br>DT - 3/4500 |
|-------------------|------------|---------------------------------|--------------------------|
| 010               | 1          | 连接螺栓<br>Connecting bolt         | D13055001                |
| 050               | 1          | 螺母环<br>Ring nut                 | A03055002                |
| 060               | 1          | 联板<br>Connecting flag           | D03055007                |
| 080               | 1          | 垫片90°<br>Washer 90°             | D01055S03                |
| 090               | 1          | 垫片120°<br>Washer 120°           | A01055S04                |
| 200a              | 2          | 六角头螺丝<br>Hexagon head cap screw | D03048013X               |
| 220               | 1          | 螺母<br>Nut                       | A01055005                |
| 260a              | 2          | 平垫片<br>Flat washer              | D03042014X               |
| 300               | 1          | 半圆垫圈<br>Half-round gasket       | A01055008                |
| 310 a             | 1          | 平垫圈<br>Flat gasket              | D01055009                |
| 310 b             | 1          | 平垫圈<br>Flat gasket              | D01055010                |
| 320               | 2          | 切割垫圈<br>Cutted gasket           | A01055011                |

编号: 附件部分详情  
Pos. refer.: Details in the components sections

备注/Note:

- 装配关联:  
• 060+260a+200a = 410  
Assembling Reference:  
• 060+260a+200a = 410
- 装配关联:  
• 050+010 = 400  
Assembling Reference:  
• 050+010 = 400

### Art. D91.D - 4500 A

变压器成套套管  
公称电压 3.6kV-4500A

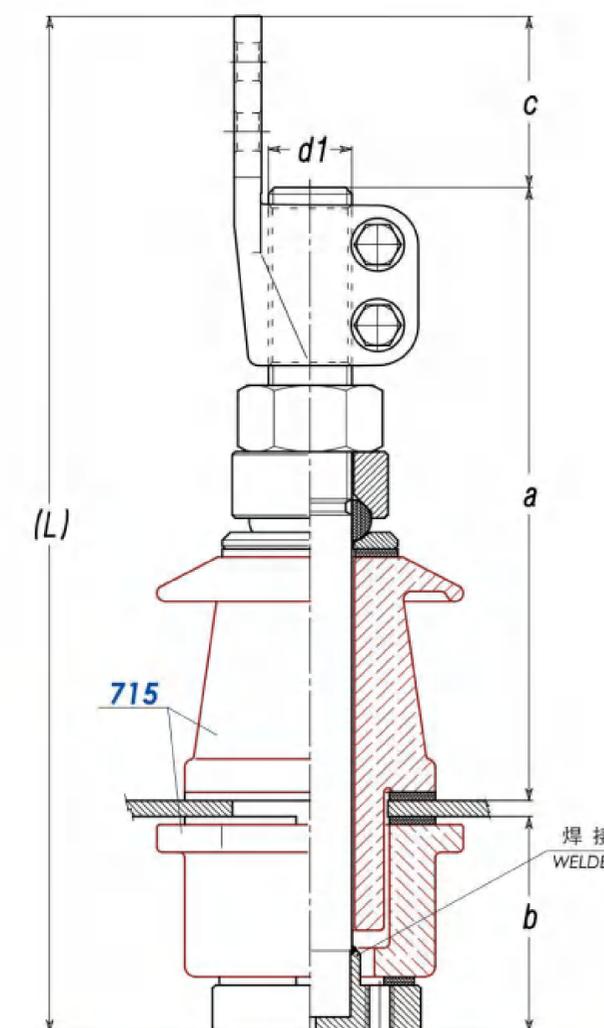
Complete bushings with insulators for transformers  
Nominal Voltage until 3.6 kV - 4500 A

编码 / CODE. D91055000D  
等级 / CLASS DT - 3/4500

715\* A55055000

d1 M55x3  
a 334  
b 111  
c 150  
(L) 595

重量(克)/Weight (gr.) 32110





## 2 - 传递连接套管

2 - Pass connections for insulators

DIN



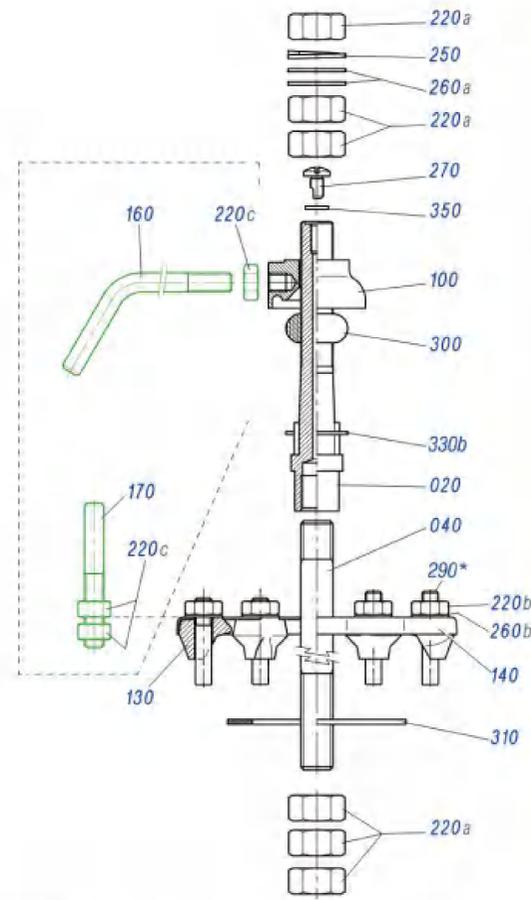
### Art. U06.D

DIN42532 变压器传递连接套管  
公称电压 10到30kV 公称电流630A

Pass connections for insulators of DIN 42532 transformers  
Nominal Voltage of 10 to 30 kV system nominal current 630 A

| 编码 / CODE. | U06010000D    | U06020000D    | U06030000D    |
|------------|---------------|---------------|---------------|
| 等级 / CLASS | 10 kV - 630 A | 20 kV - 630 A | 30 kV - 630 A |

| 编号          | 数量   | 描述                             | 10 kV 630A | 20 kV 630A | 30 kV 630A |
|-------------|------|--------------------------------|------------|------------|------------|
| Pos. refer. | Q.ty | Description                    | 10 kV 630A | 20 kV 630A | 30 kV 630A |
| 020         | 1    | 卡头螺栓<br>Clamping threaded bolt | U06020001  | U06020001  | U06020001  |
| 040         | 1    | 下穿螺栓<br>Lower threaded bolt    | U06010002  | U06020002  | U06030002  |
| 100         | 1    | 帽<br>Cap                       | U06020003  | U06020003  | U06020003  |
| 130         | 6    | 卡扣<br>Jam                      | A04012009  | A04012009  | A04012009  |
| 140         | 1    | 法兰<br>Fixing ring              | U06020005  | U06020005  | U06020005  |
| 220 a       | 6    | 螺母<br>Nut                      | A01020005  | A01020005  | A01020005  |
| 220 b       | 6    | 螺母<br>Nut                      | A04012011  | A04012011  | A04012011  |
| 250         | 1    | 弹性垫片<br>Elastic washer         | U06020014  | U06020014  | U06020014  |
| 260 a       | 2    | 平垫片<br>Flat washer             | U06020013  | U06020013  | U06020013  |
| 260 b       | 6    | 平垫片<br>Flat washer             | A04012018  | A04012018  | A04012018  |
| 270         | 1    | 排气螺丝<br>Exhaust screw          | U06020020  | U06020020  | U06020020  |
| 300         | 1    | 半圆垫圈<br>Half-round gasket      | U06020015  | U06020015  | U06020015  |
| 310         | 1    | 平垫圈<br>Flat gasket             | D01048010  | D01048010  | D01048010  |
| 330b        | 1    | 异形垫圈<br>Shaped gasket          | U06020016  | U06020016  | U06020016  |
| 350         | 1    | PTFE垫圈<br>PTFE gasket          | U06020024  | U06020024  | U06020024  |
| 160         | 1    | 上杆<br>Upper stem               | U06020Z08  | U06020Z08  | U06020Z08  |
| 170         | 1    | 下杆<br>Lower stem               | U06010Z07  | U06020Z07  | U06020Z07  |
| 220 c       | 3    | 螺母<br>Nut                      | U07030011  | U07030011  | U07030011  |
| ▶ 290*      | 6    | 大头螺栓<br>Stud bolt              | A04012010  | A04012010  | A04012010  |



需求: 可以不使用附件  
N° 160 - 170 - 220C

On request: It can be possible to avoid the components  
N° 160 - 170 - 220C

▶ 需求 / on request

编号: 附件部分详情  
Pos. refer.: Details in the components sections

## 2 - 成套套管

2 - Complete bushings with insulators

DIN

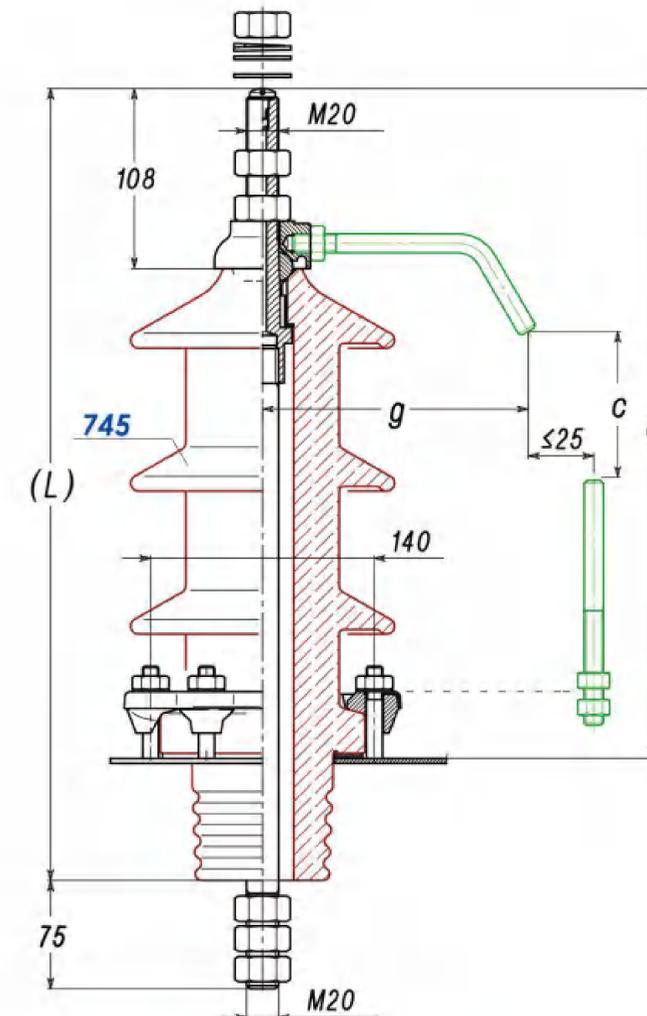


### Art. U94.D

DIN42532 变压器成套套管  
公称电压 10到30kV 公称电流630A

Complete bushings with insulators for transformers DIN 42532  
Nominal Voltage of 10 to 30 kV system - Nominal current 630 A

| 编码 / CODE.            | U94010000D    | U94020000D    | U94030000D    |
|-----------------------|---------------|---------------|---------------|
| 等级 / CLASS            | 10 kV - 630 A | 20 kV - 630 A | 30 kV - 630 A |
| 745*                  | A60010000     | A60020000     | A60030000     |
| a                     | 342           | 417           | 522           |
| c                     | 70            | 100           | 200           |
| g                     | 180           | 180           | 200           |
| (L)                   | 403           | 493           | 618           |
| 重量 (克) / Weight (gr.) | 7170          | 9850          | 14600         |









## 2 - 传递连接套管

2 - Pass connections for insulators

DIN



DIN

## 2 - 成套套管

2 - Complete bushings with insulators

### Art. D17.D

变压器传递连接套管  
公称电压 12到36kV 公称电流4500A

Pass connections for insulators of transformers  
Nominal voltage of 12 to 36 kV system nominal current 4500 A

| 编码 / CODE. | D1701000D      | D1702000D      | D1703000D      |
|------------|----------------|----------------|----------------|
| 等级 / CLASS | 10 kV - 4500 A | 20 kV - 4500 A | 30 kV - 4500 A |

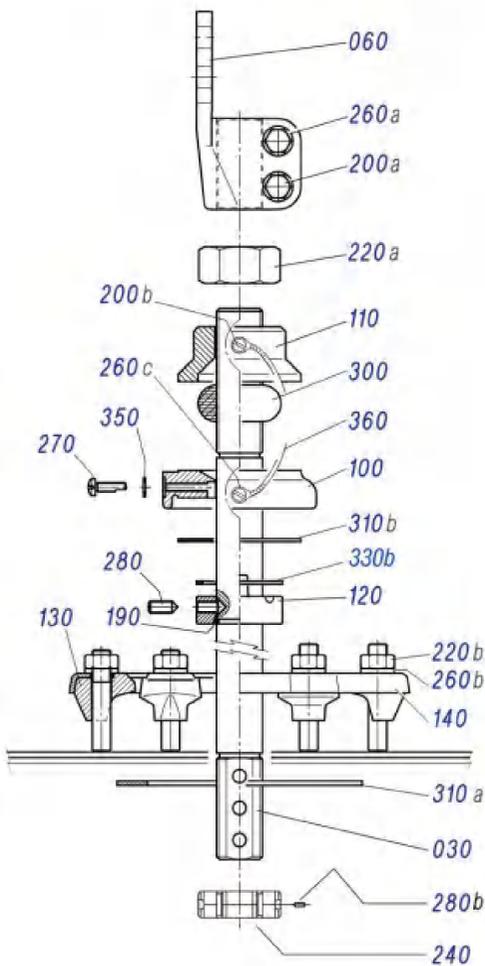
备注/Note:

装配关联:

•  $060 + 260a + 200a = 410$

Assembling Reference:

•  $060 + 260a + 200a = 410$



| 编号         | 数量   | 描述                     | 编码 / Code  | 10 kV 4500A | 20 kV 4500A | 30 kV 4500A |
|------------|------|------------------------|------------|-------------|-------------|-------------|
| Pos.refer. | Q.ty | Description            |            |             |             |             |
| 030        | 1    | Connecting bolt        | D17010001  | D17020001   | D17030001   |             |
| 060        | 1    | Connecting flag        | D03055007  | D03055007   | D03055007   |             |
| 100        | 1    | Cap                    | D17055003  | D17055003   | D17055003   |             |
| 110        | 1    | Disc                   | D17055002  | D17055002   | D17055002   |             |
| 120        | 1    | Pressure ring          | D17055004  | D17055004   | D17055004   |             |
| 130        | 6    | Jam                    | U07030009  | U07030009   | U07030009   |             |
| 140        | 1    | Fixing ring            | U08042020  | U08042020   | U08042020   |             |
| 190        | 1    | Stop ring              | D17055023  | D17055023   | D17055023   |             |
| 200 a      | 2    | Hexagon head cap screw | D03048013X | D03048013X  | D03048013X  |             |
| 200 b      | 2    | Hexagon head cap screw | D17055011X | D17055011X  | D17055011X  |             |
| 220 a      | 1    | Nut                    | A01055005  | A01055005   | A01055005   |             |
| 220 b      | 6    | Nut                    | U07030011  | U07030011   | U07030011   |             |
| 240        | 1    | Centering ring         | CEN074056  | CEN074056   | CEN074056   |             |
| 260 a      | 2    | Flat washer            | D03042014X | D03042014X  | D03042014X  |             |
| 260 b      | 6    | Flat washer            | A02030014  | A02030014   | A02030014   |             |
| 260 c      | 2    | Flat washer            | D17055007X | D17055007X  | D17055007X  |             |
| 270        | 1    | Exhaust screw          | U07030025  | U07030025   | U07030025   |             |
| 280        | 2    | Grub screw             | D17055012  | D17055012   | D17055012   |             |
| 280b       | 1    | Grub screw             | GRA004010  | GRA004010   | GRA004010   |             |
| 300        | 1    | Half-round gasket      | A01055008  | A01055008   | A01055008   |             |
| 310 a      | 1    | Flat gasket            | U08042017  | U08042017   | U08042017   |             |
| 310 b      | 1    | Flat gasket            | D17055015  | D17055015   | D17055015   |             |
| 330b       | 1    | Shaped gasket          | D17055016  | D17055016   | D17055016   |             |
| 350        | 1    | PTFE gasket            | U07030029  | U07030029   | U07030029   |             |
| 360        | 1    | Copper wire            | D17055005  | D17055005   | D17055005   |             |

编号: 附件部份详情

Pos. refer.: Details in the components sections

### Art. D92.D

变压器成套套管  
公称电压 12到36kV 公称电流4500A

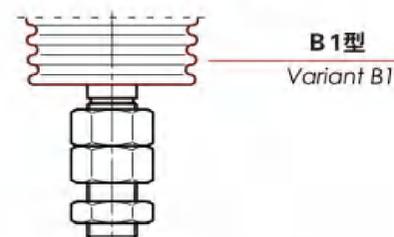
Complete bushings with insulators for transformers  
Nominal Voltage of 12 to 36 kV system - Nominal current 4500 A

| 编码 / CODE. | D9201000D      | D9202000D      | D9203000D      |
|------------|----------------|----------------|----------------|
| 等级 / CLASS | 10 kV - 4500 A | 20 kV - 4500 A | 30 kV - 4500 A |
| 775*       | A66010000      | A66020000      | A66030000      |

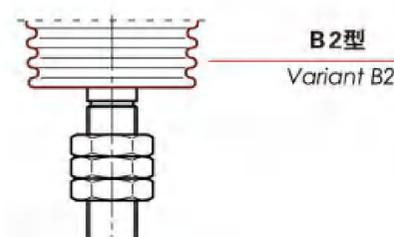
|                     |       |       |       |
|---------------------|-------|-------|-------|
| a                   | 474   | 534   | 654   |
| b                   | 210   | 220   | 230   |
| d1                  | M55x3 | M55x3 | M55x3 |
| (L)                 | 669   | 754   | 884   |
| 重量 (克)/Weight (gr.) | 35000 | 40200 | 46000 |

需求: 下部连接

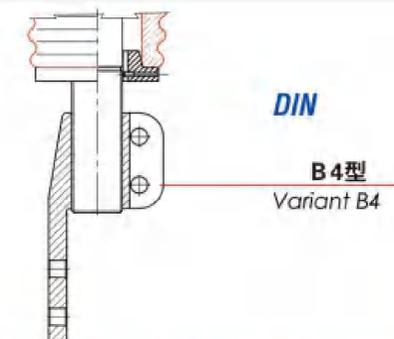
On request: With lower connection



B1型  
Variant B1

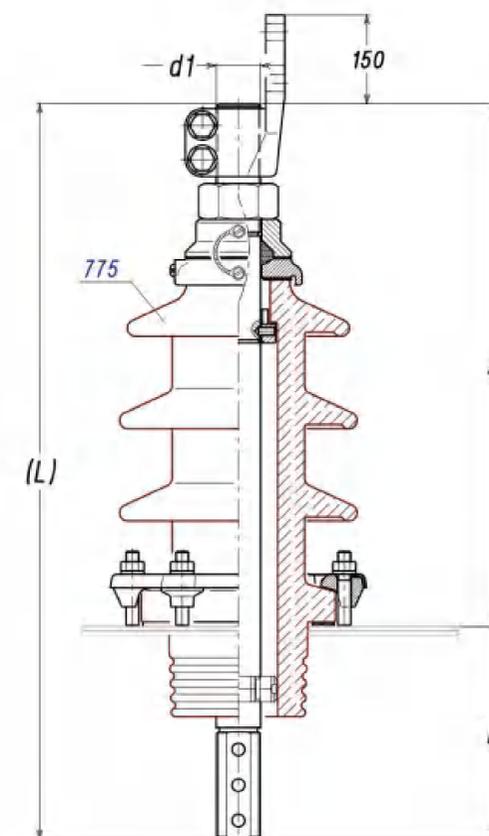


B2型  
Variant B2



DIN

B4型  
Variant B4



## 2 - 传递连接套管

2 - Pass connections for insulators

DIN



DIN

## 2 - 成套套管

2 - Complete bushings with insulators

### Art. D18.D

变压器传递连接套管  
公称电压 12到36kV 公称电流5000A

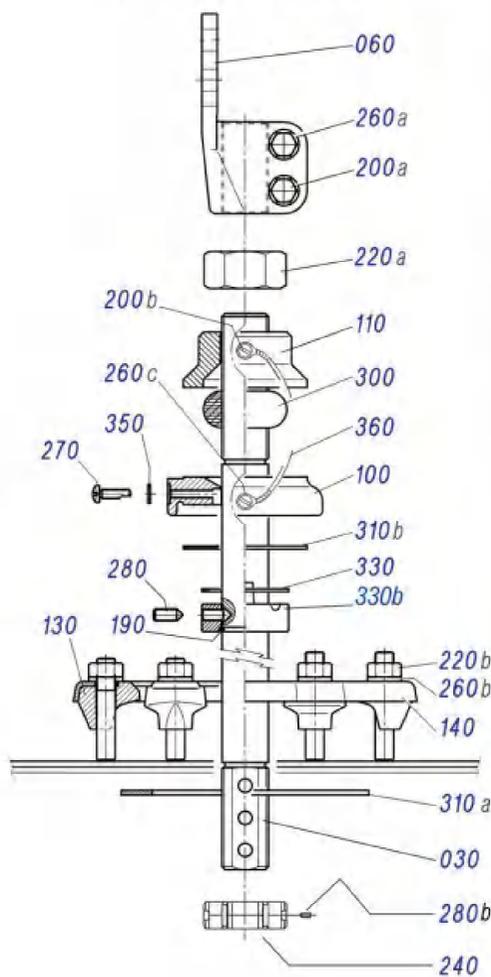
Pass connections for insulators of transformers  
Nominal voltage of 12 to 36 kV system nominal current 5000 A

| 编码 / CODE. | D1801000D      | D1802000D      | D1803000D      |
|------------|----------------|----------------|----------------|
| 等级 / CLASS | 10 kV - 5000 A | 20 kV - 5000 A | 30 kV - 5000 A |

备注/Note:

装配关联:

- 060+260a+200a = 410
- Assembling Reference:
- 060+260a+200a = 410



| 编号          | 数量   | 描述                             | 10 kV 5000A | 20 kV 5000A | 30 kV 5000A |
|-------------|------|--------------------------------|-------------|-------------|-------------|
| Pos. refer. | Q.ty | Description                    | 10 kV 5000A | 20 kV 5000A | 30 kV 5000A |
| 030         | 1    | 连接螺栓<br>Connecting bolt        | D18010001   | D18020001   | D18030001   |
| 060         | 1    | 联板<br>Connecting flag          | D03058007   | D03058007   | D03058007   |
| 100         | 1    | 帽<br>Cap                       | D17058003   | D17058003   | D17058003   |
| 110         | 1    | 盘<br>Disc                      | D17058002   | D17058002   | D17058002   |
| 120         | 1    | 压紧环<br>Pressure ring           | D17058004   | D17058004   | D17058004   |
| 130         | 6    | 卡扣<br>Jam                      | U07030009   | U07030009   | U07030009   |
| 140         | 1    | 法兰<br>Fixing ring              | U08042020   | U08042020   | U08042020   |
| 190         | 1    | 停环<br>Stop ring                | D17058023   | D17058023   | D17058023   |
| 200 a       | 2    | 六角螺丝<br>Hexagon head cap screw | D03048013X  | D03048013X  | D03048013X  |
| 200 b       | 2    | 六角螺丝<br>Hexagon head cap screw | D17055011X  | D17055011X  | D17055011X  |
| 220 a       | 6    | 螺母<br>Nut                      | U07030011   | U07030011   | U07030011   |
| 220 b       | 1    | 螺母<br>Nut                      | A01058005   | A01058005   | A01058005   |
| 240         | 1    | 中环<br>Centering ring           | CEN074059   | CEN074059   | CEN074059   |
| 260 a       | 2    | 平垫片<br>Flat washer             | D03042014X  | D03042014X  | D03042014X  |
| 260 b       | 6    | 平垫片<br>Flat washer             | A02030014   | A02030014   | A02030014   |
| 260 c       | 2    | 平垫片<br>Flat washer             | D17055007X  | D17055007X  | D17055007X  |
| 270         | 1    | 排气螺丝<br>Exhaust screw          | U07030025   | U07030025   | U07030025   |
| 280         | 2    | 平头螺丝<br>Grub screw             | D17055012   | D17055012   | D17055012   |
| 280b        | 1    | 平头螺丝<br>Grub screw             | GRA004010   | GRA004010   | GRA004010   |
| 300         | 1    | 半圆垫圈<br>Half-round gasket      | A01058008   | A01058008   | A01058008   |
| 310 a       | 1    | 平垫圈<br>Flat gasket             | U08042017   | U08042017   | U08042017   |
| 310 b       | 1    | 平垫圈<br>Flat gasket             | D17055015   | D17055015   | D17055015   |
| 330b        | 1    | 异形垫圈<br>Shaped gasket          | D17055016   | D17055016   | D17055016   |
| 350         | 1    | PTFE垫圈<br>PTFE gasket          | U07030029   | U07030029   | U07030029   |
| 360         | 1    | 铜线<br>Copper wire              | D17055005   | D17055005   | D17055005   |

编号: 附件部份详情  
Pos. refer.: Details in the components sections

### Art. D93.D

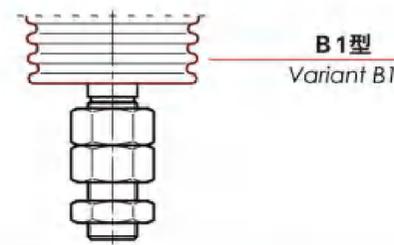
变压器成套套管  
公称电压 12到36kV 公称电流5000A

Complete bushings with insulators for transformers  
Nominal Voltage of 12 to 36 kV system - Nominal current 5000 A

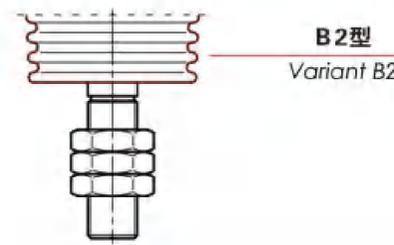
| 编码 / CODE. | D9201000D      | D9202000D      | D9203000D      |
|------------|----------------|----------------|----------------|
| 等级 / CLASS | 10 kV - 5000 A | 20 kV - 5000 A | 30 kV - 5000 A |
| 775*       | A66010000      | A66020000      | A66030000      |

|                    |       |       |       |
|--------------------|-------|-------|-------|
| a                  | 474   | 534   | 654   |
| b                  | 210   | 220   | 230   |
| d1                 | M55x3 | M55x3 | M55x3 |
| (L)                | 669   | 754   | 884   |
| 重量(克)/Weight (gr.) | 35000 | 40200 | 46000 |

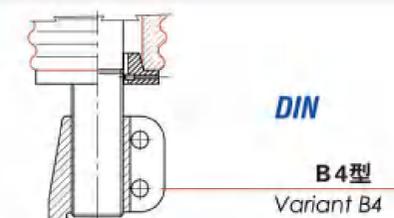
需求: 下部连接  
On request: With lower connection



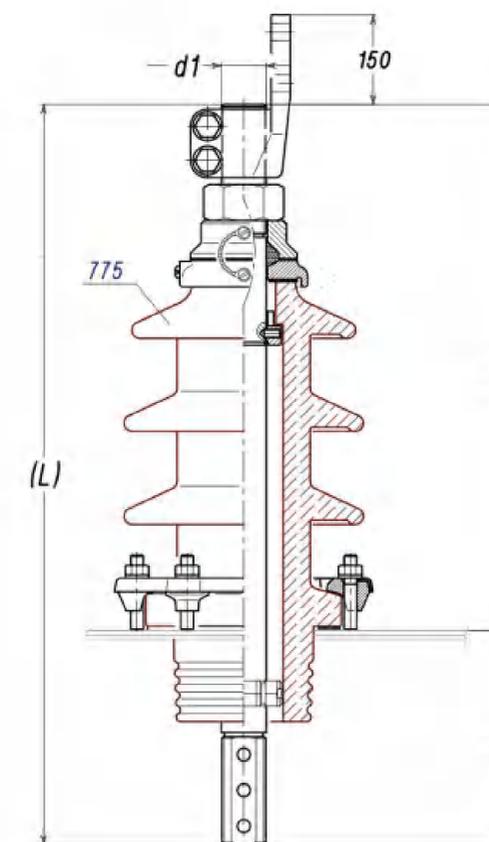
B1型  
Variant B1



B2型  
Variant B2



DIN  
B4型  
Variant B4







## 2 - 传递连接套管

2 - Pass connections for insulators

DIN



### Art. D15 1000A-2000A-3150A

DIN42534变压器传递连接套管

公称电压 52kV 公称电流 1000-2000-3150A

Pass connections for insulators of DIN 42534 transformers

Nominal Voltage until 52 KV - Nominal current 1000 - 2000 - 3150 A

| 编码 / CODE. | D1503000     | D1504200     | D1504800     |
|------------|--------------|--------------|--------------|
| 等级 / CLASS | 52 kV/1000 A | 52 kV/2000 A | 52 kV/3150 A |

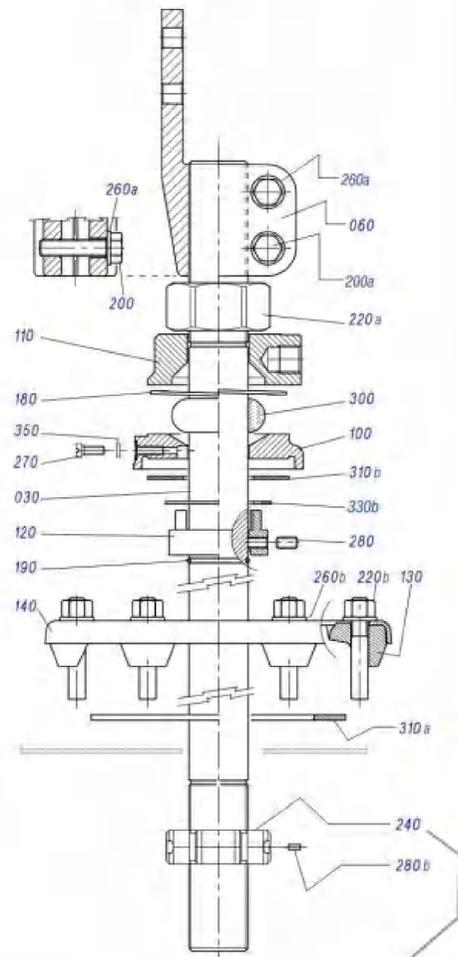
备注/Note:

装配关联:

• 060+260a+200a = 410

Assembling Reference:

• 060+260a+200a = 410



| 编号<br>Pos.ref. | 数量<br>Q.ty | 描述<br>Description               | 编码 / Code  |            |            |
|----------------|------------|---------------------------------|------------|------------|------------|
|                |            |                                 | 52-1000    | 52-2000    | 52-3150    |
| 030            | 1          | 连接螺栓<br>Connecting bolt         | D15030001  | D15042001  | D15048001  |
| 060            | 1          | 联板<br>Connecting flag           | D03030007  | D03042007  | D03048007  |
| 100            | 1          | 帽<br>Cap                        | D07030003  | U08042003  | U09048003  |
| 110            | 1          | 盘<br>Disc                       | U07030002  | U08042002  | U09048002  |
| 120            | 1          | 压紧环<br>Pressure ring            | D15030004  | U08042004  | U09048004  |
| 130            | 6          | 卡扣<br>Jam                       | U07030009  | U07030009  | U07030009  |
| 140            | 1          | 法兰<br>Fixing ring               | U08042020  | U08042020  | U08042020  |
| 180            | 1          | 断环<br>Snap ring                 | U07030021  | U08042021  | U09048021  |
| 190            | 1          | 撑环<br>Stop ring                 | U07030023  | U08042023  | U09048023  |
| 200a           | 2          | 六角头螺丝<br>Hexagon head cap screw | D03030013X | D03042013X | D03048013X |
| 220 a          | 1          | 螺母<br>Nut                       | A01030005  | A01042005  | A01048005  |
| 220 b          | 6          | 螺母<br>Nut                       | U07030011  | U07030011  | U07030011  |
| 240            | 1          | 中环<br>Centering ring            | CEN074031  | CEN074043  | CEN074049  |
| 260 a          | 2          | 平垫片<br>Flat washer              | A05012018X | D03042014X | D03042014X |
| 260 b          | 6          | 平垫片<br>Flat washer              | A02030014  | A02030014  | A02030014  |
| 270            | 1          | 排气螺丝<br>Exhaust screw           | U07030025  | U07030025  | U07030025  |
| 280            | 1          | 平头螺丝<br>Grub screw              | GRA004010  | GRA004010  | GRA004010  |
| 300            | 1          | 半圆垫圈<br>Half-round gasket       | U07030015  | U08042015  | U09048015  |
| 310 a          | 1          | 平垫圈<br>Flat gasket              | U08042017  | U08042017  | U08042017  |
| 310 b          | 1          | 平垫圈<br>Flat gasket              | U07030018  | U08042018  | U08042018  |
| 350            | 1          | PTFE垫圈<br>PTFE gasket           | U07030029  | U07030029  | U07030029  |
| 330b           | 1          | 异形垫圈<br>Shaped gasket           | U07030016  | U08042016  | U08042016  |
| 280 b          | 1          | 平头螺丝<br>Grub screw              | D17055010  | D17055010  | D17055010  |

Nota: il componente 240 non è contemplato nella normativa DIN ma è un componente migliorativo dal punto di vista strutturale

Note: the 240 pos. refer. component is not a DIN standard but it is a solution to improve structural strength

编号: 附件部份详情

Pos. refer.: Details in the components sections

## 2 - 成套套管

2 - Complete bushings with insulators

DIN



### Art. D99 1000A-2000A-3150A

DIN42534变压器成套套管

公称电压 52kV 公称电流 1000-2000-3150A

Complete bushings with insulators for transformers DIN 42534

Nominal Voltage until 52 KV - Nominal current 1000 - 2000 - 3150 A

| 编码 / CODE. | D9903000  | D9904200  | D9904800  |
|------------|-----------|-----------|-----------|
| 等级 / CLASS | 52/1000   | 52/2000   | 52/3150   |
| 780*       | A69048000 | A69048000 | A69048000 |

|                     |       |       |       |
|---------------------|-------|-------|-------|
| d                   | M30x2 | M42x3 | M48x3 |
| a                   | 660   | 685   | 690   |
| b                   | 285   | 295   | 305   |
| c                   | 60    | 100   | 120   |
| (L)                 | 945   | 988   | 995   |
| 重量 (克)/Weight (gr.) | 34200 | 42400 | 47700 |

需求: 下部连接  
On request: With lower connection

